



**PA100/PA101/PA102/  
SPA102  
Pole Mount Adapters**

---



**C250M-G (12/17)**

# Important Safety Instructions

---

Prior to installation and use of this product, the following WARNINGS should be observed.

1. Read these instructions.
2. Keep these instructions.
3. Heed all warnings.
4. Follow all instructions.
5. Only use attachments/accessories specified by the manufacturer.
6. Use only with the cart, stand, tripod, bracket, or table specified by the manufacturer, or sold with the apparatus. When a cart is used, use caution when moving the cart/apparatus combination to avoid injury from tip-over.
7. Installation should be done only by qualified personnel and conform to all local codes.
8. Unless the unit is specifically marked as a NEMA Type 3, 3R, 3S, 4, 4X, 6, or 6P enclosure, it is designed for indoor use only and it must not be installed where exposed to rain and moisture.
9. Use only installation methods and materials capable of supporting four times the maximum specified load.
10. Use stainless steel hardware to fasten the mount to outdoor surfaces.
11. **CAUTION:** These servicing instructions are for use by qualified service personnel only. To reduce the risk of electric shock do not perform any servicing other than contained in the operating instructions unless you are qualified to do so.

Please thoroughly familiarize yourself with the information in this manual prior to installation and operation.

## Description

The PA100/PA101/PA102 pole mount adapters are designed to permit the use of standard wall mounts when installation of CCTV equipment is required on a pole. A Coaxitron® outdoor receiver or WLVEH enclosure can also be mounted to a PA102 when used with the PA9000 adapter. The SPA102 pole mount adapter is used in conjunction with the PA102 and ST1 support strut in installations requiring additional support for the WM2000 wall mount. The PA102, when used with the SPA102 and ST1, will support loads up to 150 pounds (68 kg).

Pole mount adapters are available to mount a variety of wall mounts on poles. All pole mount adapters are supplied with stainless steel straps for fastening the adapters to poles. Stainless steel hardware also is provided for attaching mounts to the adapters. Lightweight, rugged, and easy to install, the pole mount adapters are constructed of aluminum and have a gray polyester powder coat finish.

## MODELS

PA100	Pole mount adapter for use with the EM22 mount. Mounts on poles having 1.5-inch (3.81 cm) to 8-inch (20.32 cm) diameters.
PA101	Pole mount adapter for use with the WMVE-SR, EM16, EM14, CM1450, EM1400, EM1450, PM14, and MM1000 mounts. Mounts on poles having 3-inch (7.62 cm) to 8-inch (20.32 cm) diameters.
PA102	Pole mount adapter for use with the WM2000 wall mount. Mounts on poles having 3-inch (7.62 cm) to 8-inch (20.32 cm) diameters. A Coaxitron outdoor receiver or WLVEH enclosure can be mounted to a PA102 when used with the PA9000 adapter.
SPA102	Pole mount adapter for use with the ST1 support strut in installations requiring additional pole mount support for the WM2000 wall mount. Mounts on poles having 3-inch (7.62 cm) to 8-inch (20.32 cm) diameters.

# Installation

1. Position the pole mount adapter on the pole and attach it to the pole with the stainless steel straps provided. Tighten the strap screws securely.
2. Attach your mount to the pole mount adapter with the provided nuts and washers and securely tighten.
3. If you are using the WM2000 wall mount and require an ST1 support strut for additional support, install an SPA102 pole mount adapter. Measure 14 inches (36 cm) down from the bottom of the WM2000 and mark the pole. Center the SPA102 on the pole at the mark and attach the SPA102 to the pole with the stainless steel straps provided. Tighten the strap screws securely. Attach the support strut wall swivel to the SPA102 with the provided nuts and washers and securely tighten. Attach the ST1 clamp swivel to the WM2000 with the stainless steel clamp (supplied) and securely tighten.

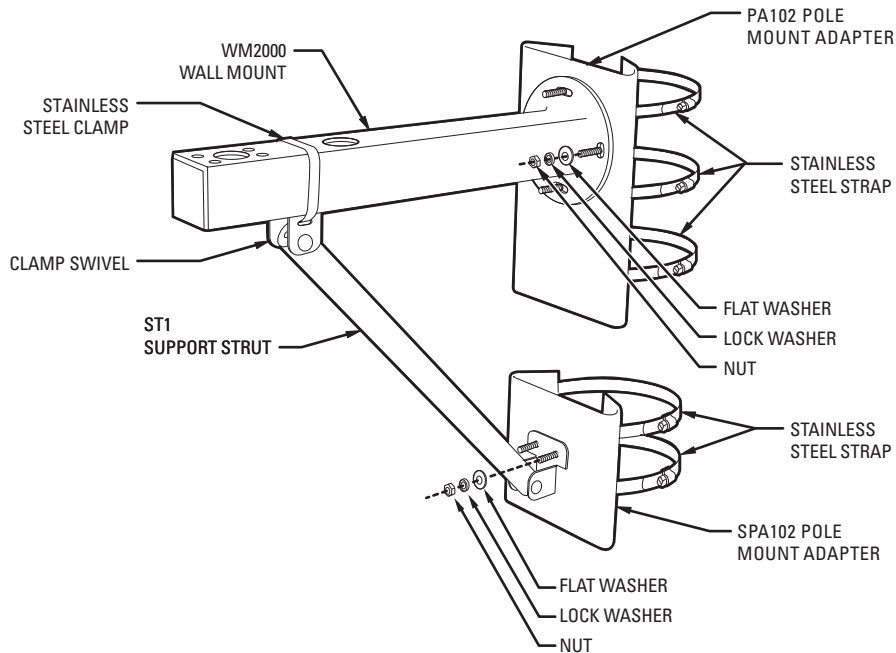


Figure 1. Typical Pole Mount Adapter Installation

**WARNING:** Only mount one camera system per set of stainless steel straps Installation Torque: 35-45in.lbs.

## Specifications

Construction	Aluminum
Finish	Gray polyester powder coat
Dimensions	
PA100	8.00" H x 3.00" W (20.32 x 7.62 cm)
PA101	5.00" H x 4.00" W (12.70 x 10.16 cm)
PA102	12.78" H x 7.00" W (32.45 x 17.78 cm)
SPA102	6.50" H x 7.00" W (16.51 x 17.78 cm)
Weight	
PA100	0.9 lb (0.4 kg)
PA101	0.9 lb (0.4 kg)
PA102	3.4 lb (1.5 kg)
SPA102	1.8 lb (0.8 kg)

*(Design and product specifications subject to change without notice.)*

***PELCO***®

**Pelco, Inc.** 625 W. Alluvial Fresno, California 93711 United States  
USA & Canada Tel (800) 289-9100 Fax (800) 289-9150  
International Tel +1 (559) 292-1981 Fax +1 (559) 348-1120  
**[www.pelco.com](http://www.pelco.com)**