



EM1109/EM2000/ EM2200 Enclosure Mounts



Important Safety Instructions

1. Installation and servicing should be done only by qualified service personnel and conform to all local codes.
2. Installation shall be done in accordance with all local and national electrical and mechanical codes utilizing only approved materials.
3. Use only installation methods and materials capable of supporting four times the maximum specified load.
4. Use stainless steel hardware to fasten the mount to outdoor surfaces.

Description


The EM1109/EM2000/EM2200 enclosure mounts have been engineered for use with all enclosures with a 5.08 cm (2-inch) mounting hole pattern. They can be installed on a horizontal or vertical pipe or pole that has a 7.62 cm (3-inch) to 20.32 cm (8-inch) diameter.

These enclosure mounts feature fully adjustable swivel heads, allowing 360-degree horizontal movement and cable feedthrough to conceal wiring.


EM1109	Medium duty pedestal mount for horizontal pipe or pole mounting; will work on vertical pipe/pole mounting; manually adjustable swivel head; 22.63 cm (8.91 inches) long
EM2000	Medium duty 90-degree J-mount for vertical pipe/pole mounting; manually adjustable swivel head; 37.46 cm (14.75 inches) long
EM2200	Medium duty "hook" mount for horizontal pipe/pole mounting; manually adjustable swivel head; 47.5 cm (18.7 inches) long

Installation

The EM1109/EM2000/EM2200 enclosure mounts include two 1/4-20 x 0.500 hex head bolts to mount the enclosure and three stainless steel straps for attaching the mount to the pole or pipe.

 **WARNING:** Make certain the pole or pipe is capable of supporting the full load of the mount, enclosure, and camera.

1. Insert the stainless steel straps through the slots in the mount bracket. Position the mount on the pole or pipe and attach it to the pole with the stainless steel straps (supplied). Tighten the strap screws securely.

 **WARNING:** Only mount one camera system per set of stainless steel straps and do not over/under torque. Stainless steel straps installation torque: 35-45in.lbs.

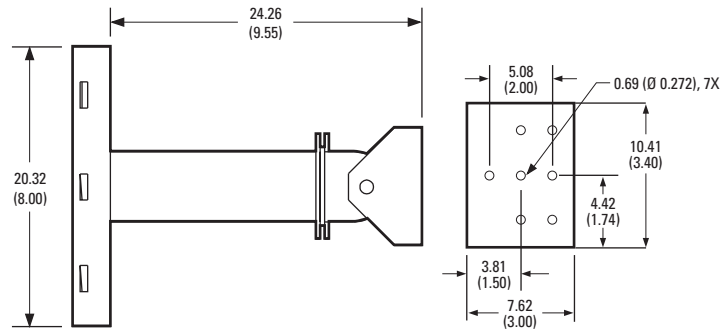
2. Attach the enclosure or camera securely with the two 1/4-20 bolts (supplied).
3. Loosen the bolts on the swivel head and adjust the pan rotation (360 degrees) and tilt angle (75 degrees up or down). Retighten the bolts and lock the mount into place.

Specifications

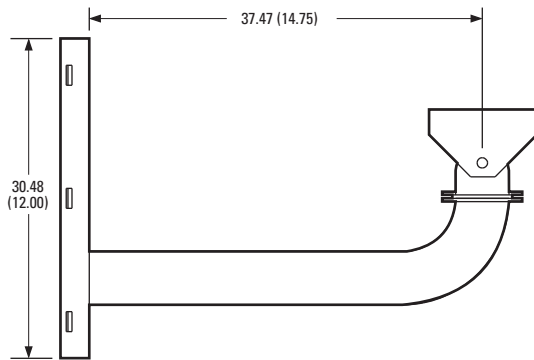
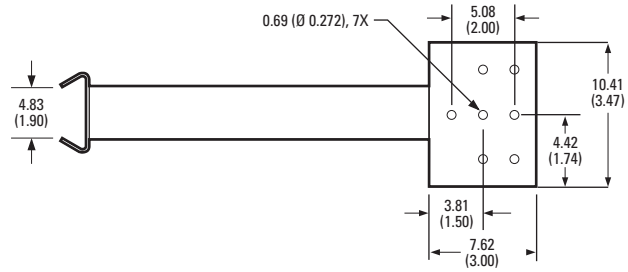
Pan Adjustment	Unlimited 360°
Tilt Adjustment	±75°
Construction	Aluminum
Finish	White epoxy powder coat
Locking Method	3/8-16 hex head bolts
Enclosure Mounting	2, 1/4-20 mounting bolts (supplied)
Suggested Mounting Method	Slots are provided to allow the use of straps for mounting to pole or pipe; 3 stainless steel straps are supplied.
Maximum Load	18 kg (40 lb)



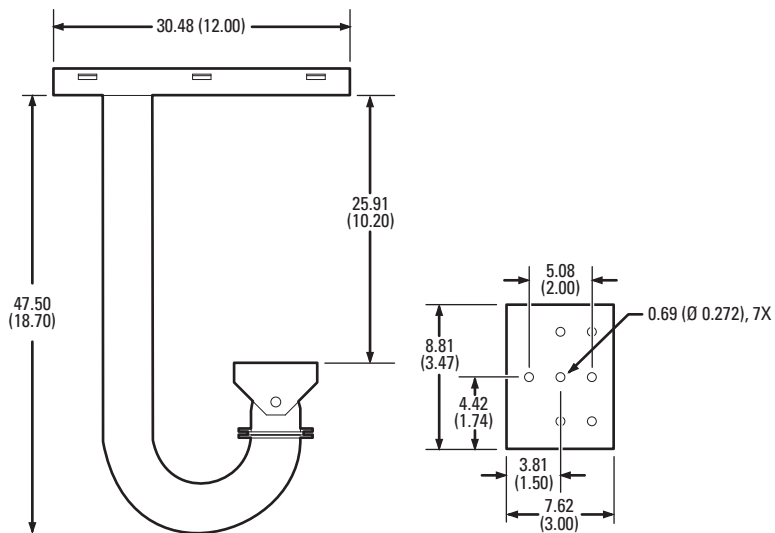
NOTE: VALUES IN PARENTHESES ARE INCHES; ALL OTHERS ARE CENTIMETERS.



EM1109



EM2000



EM2200

WARRANTY STATEMENT

For information about Pelco's product warranty and thereto related information, refer to www.pelco.com/warranty.

REVISION HISTORY

Manual #	Date	Comments
C207M-C	7/99	Revised to new format. Created service manual (C207SM) for exploded assembly and parts list.
C207M-D	7/03	Revised dimensions of EM2000 and EM2200 per ECO 03-8731.
C207M-E	12/05	Revised to new format. Updated pole diameter for stainless steel mounting straps per CAR 05-0928.
C207M-F	1/08	Revised mounting head hole pattern per ECO 07-17992. Added RoHS statement.
C207M-G	4/14	Updated graphics and content for metric (imperial) dimension display. Changed screw size.
C207M-H	12/17	Added warning to the pole mount adapter instructions.

Pelco, the Pelco logo, and other trademarks associated with Pelco products referred to in this publication are trademarks of Pelco, Inc. or its affiliates. ONVIF and the ONVIF logo are trademarks of ONVIF Inc. All other product names and services are the property of their respective companies. Product specifications and availability are subject to change without notice.

© Copyright 2017, Pelco, Inc.
All rights reserved.

Pelco, Inc. 625 W. Alluvial Fresno, California 93711 United States
USA & Canada Tel (800) 289-9100 Fax (800) 289-9150
International Tel +1 (559) 292-1981 Fax +1 (559) 348-1120
www.pelco.com www.pelco.com/community